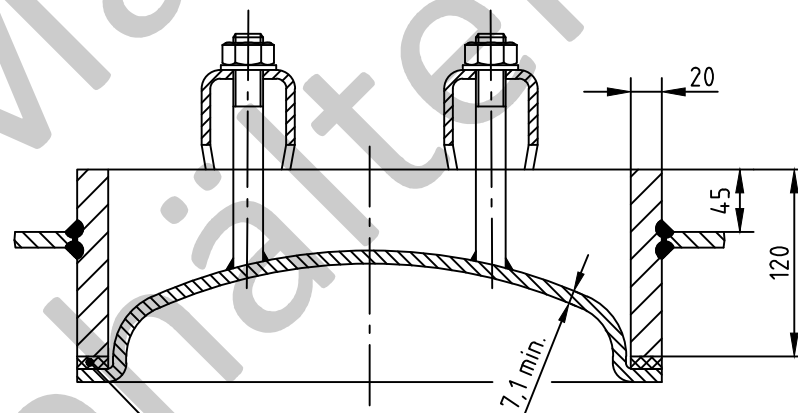
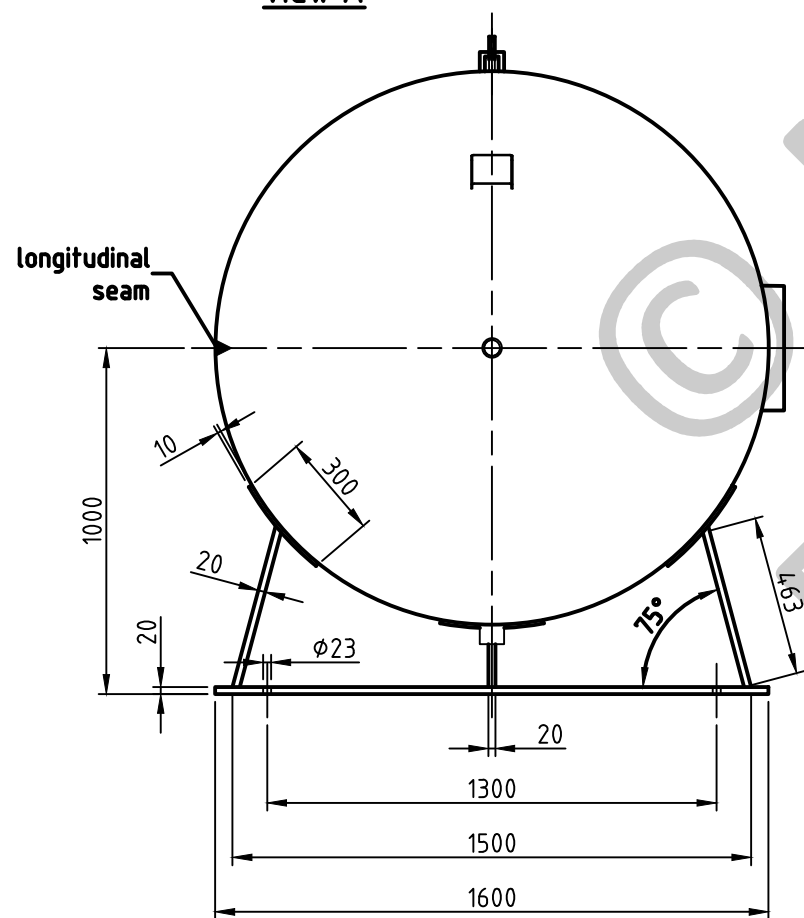


view A

OAB 51 - manhole lock 320/420
tested components



SEAMS (unless otherwise indicated on drawing):

longitudinal seam	socket-/flangeweldings	circumferential seams
		beadseams only up to 8mm wall thickness of bottoms cyl. brim > 3,5 x wall thickness of bottoms

pressure variation :

pressure swing 0-11 bar max. operations 1.000

infinite operation of pressure swing within 20% of 11 bar

operational characteristics / calculation characteristics :

volume V (litre)	: 6000
max. working pressure PS (bar)	: 11
test pressure PT (bar)	: 15,73
min. working temp. TS (°C)	: -10
max. working temp. TS (°C)	: 50
fluid	: compressed air/nitrogen (fluid group 2)
location	: inside and outside building possible

coating :

inside : hot dip galvanized
outside : hot dip galvanized

manufacturing and testing

acc. to PED 2014 / 68 / EU - AD 2000

conformity benchmark :

fluid group : 2	categorie : IV
diagram : 2	module : H1

scale :	1:22.5
our no. :	-
order no. :	-
used for :	M+B Standardbehälter
weight :	ca.1240 kg
sheet :	1
of sheet :	1
date of plot :	16.03.2015
file :	ENG-010324

Maschinen- und Behälterbau GmbH	
date	name
compl. 16.03.2015	CW
appr. 16.03.2015	Nota 2
follow protection mark acc. to DIN 34	
Betzdorfer Str. 170 57567 Daaden Tel. 02743/9330-12 Fax 02743/3685 Internet: www.mabe.de E-Mail: cad@mabe.de	

description :

pressure vessel horizontal
6000 l 11 bar

drawing no. :
MB 020102-1.6000V

drawing no. of design inspection :

MB 020102-1

revision :	A
date of revision :	16.03.2015
revision only on CAD	