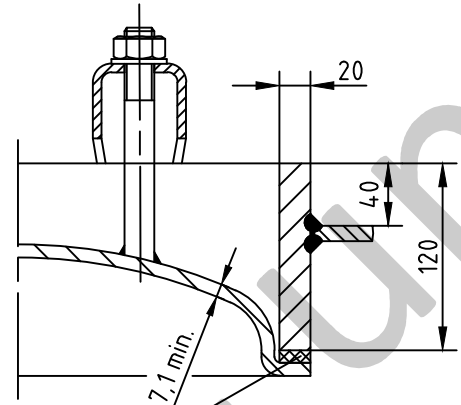
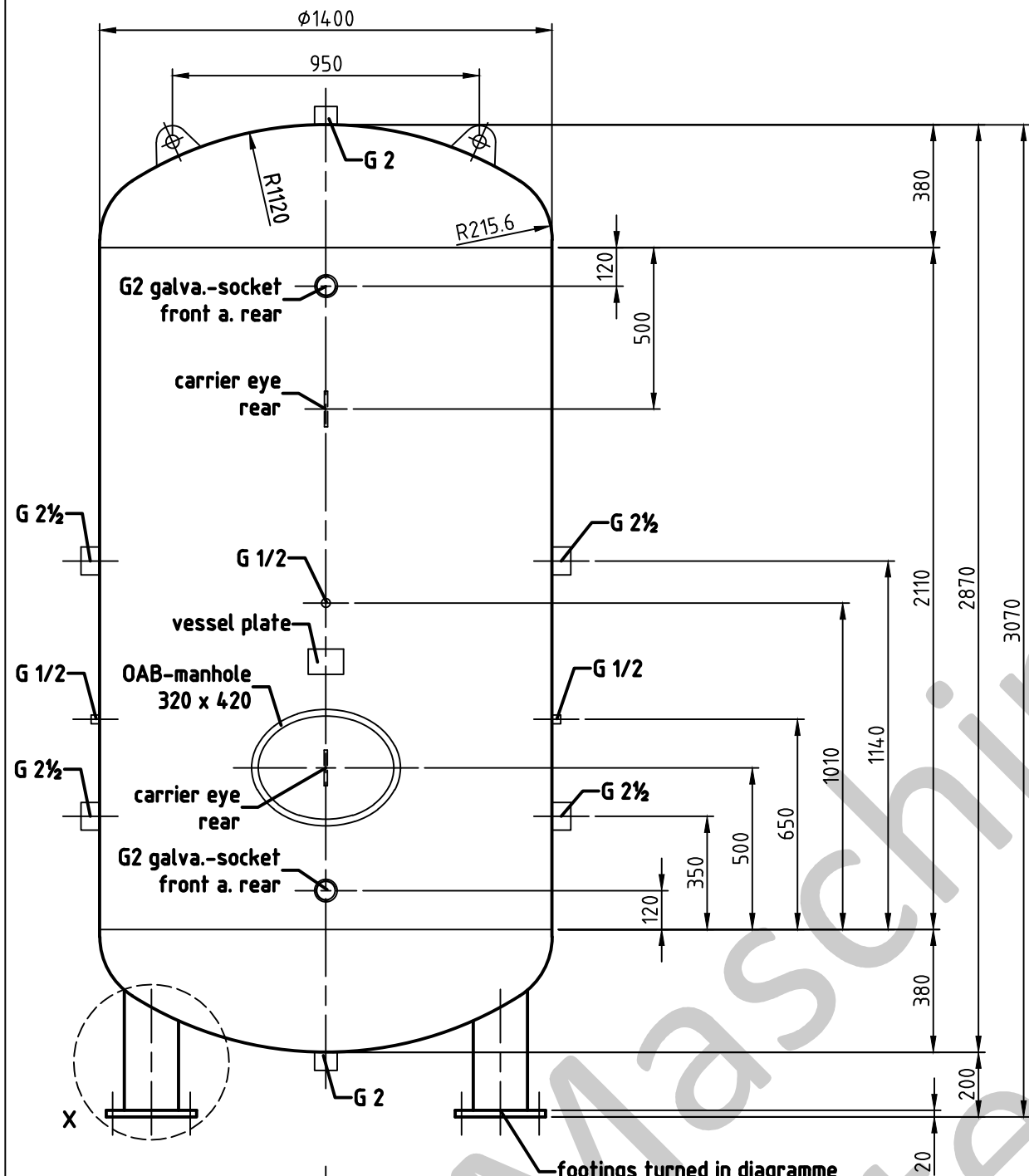
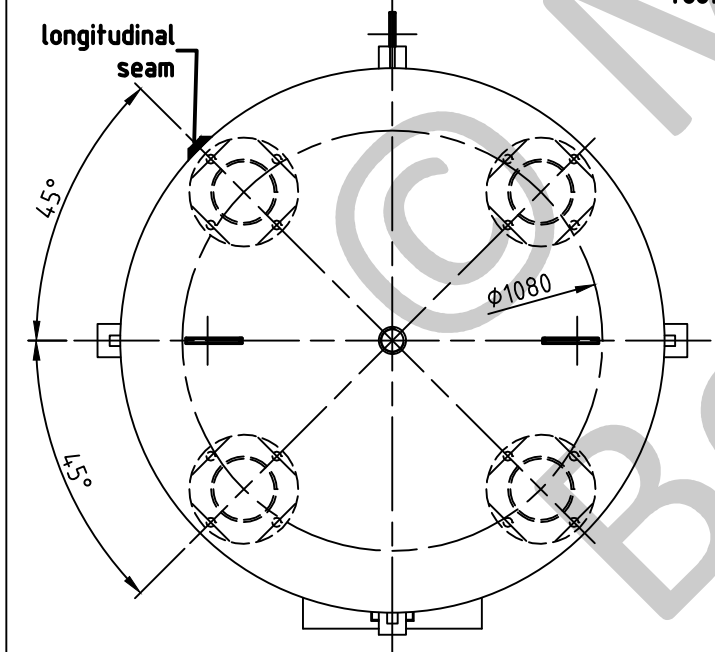
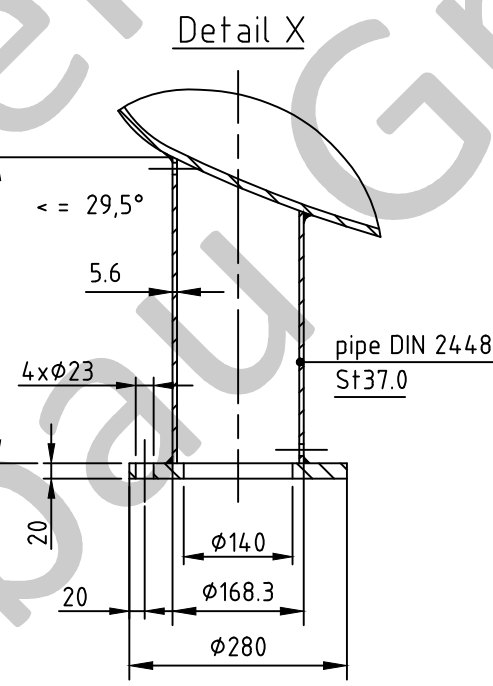


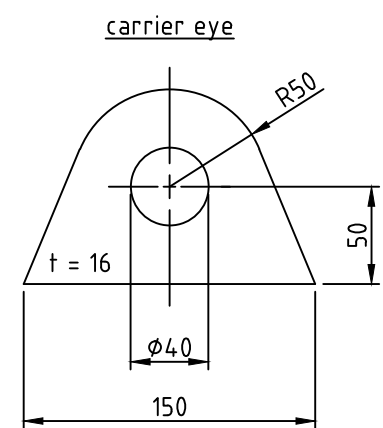
OAB 51 - manhole lock 320/420
 tested components



1a rubber gasket up to 70°C



socket welding
 drain and plug socket
 inside flush



SEAMS (unless otherwise indicated on drawing):		
longitudinal seam	socket-/flangeweldings	circumferential seams
		beadseams only up to 8mm wall thickness of bottoms cyl. brim > 3,5 x wall thickness of bottoms

pressure variation :
 pressure swing 0-11 bar max. operations 1.000
 infinite operation of pressure swing within 20% of 11 bar
 operational characteristics / calculation characteristics :
 volume V (litre) : 4000
 max. working pressure PS (bar) : 11
 test pressure PT (bar) : 15,73
 min. working temp. TS (°C) : -10
 max. working temp. TS (°C) : 50
 fluid : compressed air / nitrogen (fluid group 2)
 location : inside and outside building possible

coating :
 inside : hot dip galvanized
 outside : hot dip galvanized

manufacturing and testing
 acc. to PED 2014 / 68 / EU - AD 2000

conformity benchmark :
 fluid group : 2
 diagram : 2
 categorie : IV
 module : H1

scale :	1:20
our no. :	-
order no. :	-
used for :	M + B Standardvessel
weight :	ca.1070 kg
sheet :	1
of sheet :	1
date of plot :	15.06.2015
file :	ENG-010698

Maschinen- und Behälterbau GmbH

date	name
compl. 15.06.2015	CW
appr. 15.06.2015	Nota 2

follow protection mark acc. to DIN 34

Betzdorfer Str. 170
 57567 Daaden
 Tel. 02743/9330-12
 Fax 02743/3685
 Internet: www.mabe.de
 E-Mail: cad@mabe.de

description : pressure vessel upright 4000 l 11 bar	
drawing no. : MB 020103-1.4004V/E	revision : A
drawing no. of design inspection : MB 020103-1	date of revision : 15.06.2015
	revision only on CAD