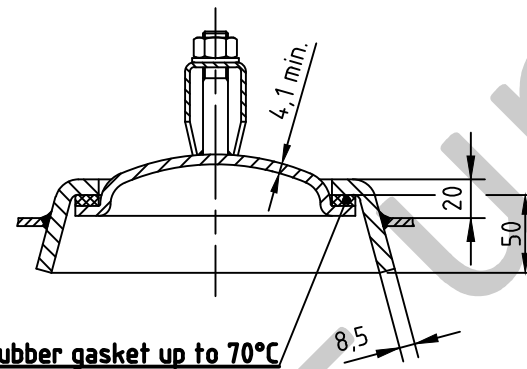
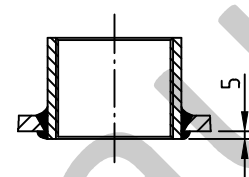


OAB 51 - handhole lock 100/150
tested components

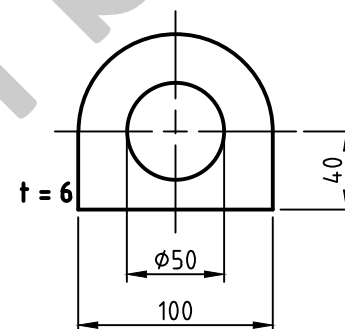


1a rubber gasket up to 70°C

socket welding
drain and plug socket
inside flush



carrier eye



SEAMS (unless otherwise indicated on drawing):

longitudinal seam	socket-/flangeweldings	circumferential seams
		beadseams only up to 8mm wall thickness of bottoms cyl. brim > 3,5 x wall thickness of bottoms

pressure variation :

pressure swing 0-11 bar max. operations 1.000

infinite operation of pressure swing within 20% of 11 bar

operational characteristics / calculation characteristics :

volume V (litre)	: 500
max. working pressure PS (bar)	: 11
test pressure PT (bar)	: 15,73
min. working temp. TS (°C)	: -20
max. working temp. TS (°C)	: 50
fluid	: compressed air / nitrogen (fluid group 2)
location	: inside and outside building possible

coating :

inside : raw
outside : primed (if customer wishes lacquered) or: inside : hot dip galvanized
outside : hot dip galvanized

manufacturing and testing

acc. to PED 2014 / 68 / EU - AD 2000

conformity benchmark :

fluid group : 2
diagram : 2
categorie : IV
module : H1

scale :	1:12.5
our no. :	-
order no. :	-
used for :	M+B Standardvessel
weight :	ca.190 kg
sheet :	1
of sheet :	1
date of plot :	10.06.2015
file :	ENG-010676

Maschinen- und Behälterbau GmbH	
date	name
compl. 10.06.2015	CW
appr. 10.06.2015	Nota 2
follow protection mark acc. to DIN 34	
Betzdorfer Str. 170 57567 Daaden Tel. 02743/9330-12 Fax 02743/3685 Internet: www.mabe.de E-Mail: cad@mabe.de	

description :
**pressure vessel upright
500 l 11 bar**

drawing no. :
MB 030604-1.500/E

drawing no. of design inspection :
MB 010806-1/2

revision : **A**
date of revision :
10.06.2015
revision only on CAD