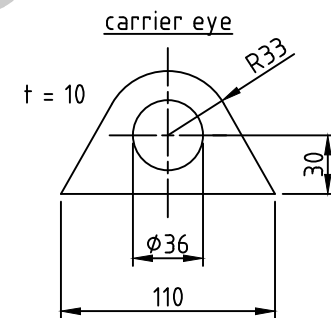
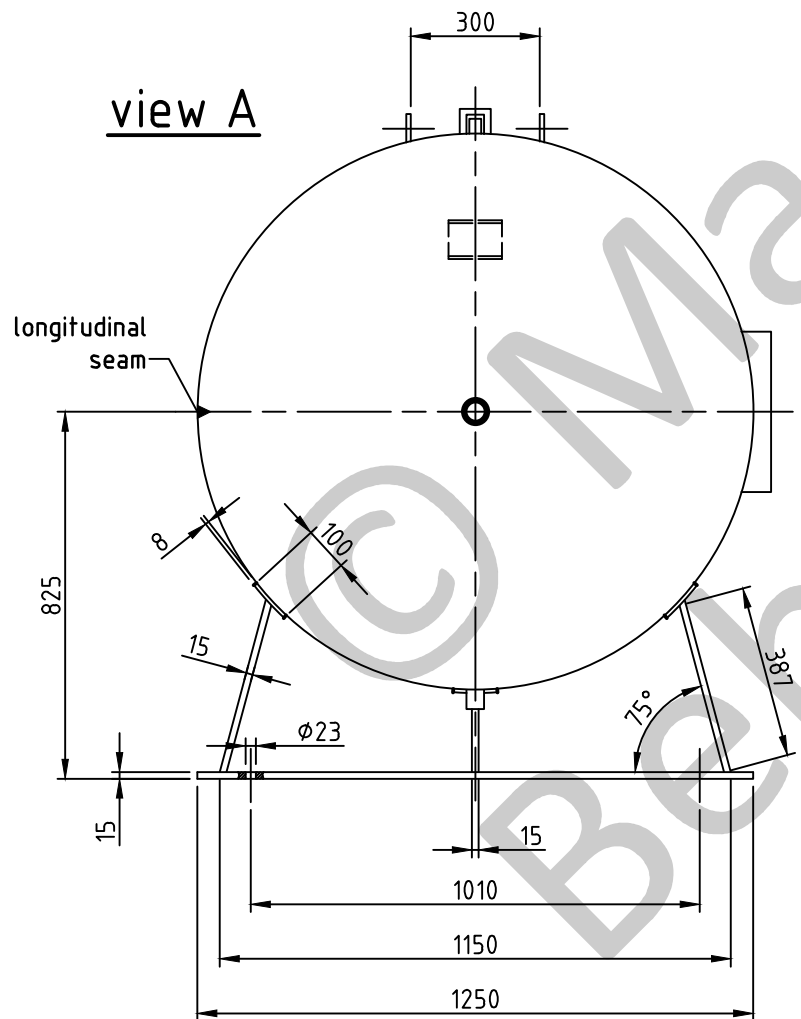
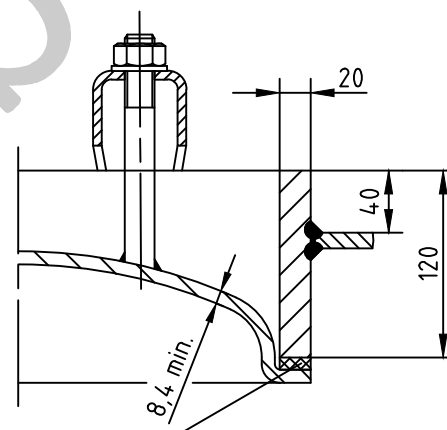
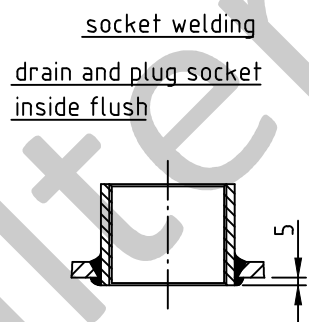


view A



OAB 51 - manhole lock 320/420  
tested components



1a rubber gasket up to 70°C

**SEAMS (unless otherwise indicated on drawing):**

longitudinal seam	socket-/flangeweldings	circumferential seams
		beadseams only up to 8mm wall thickness of bottoms cyl. brim > 3,5 x wall thickness of bottoms

**pressure variation :**

pressure swing 0-16 bar max. operations 1.000  
infinite operation of pressure swing within 20% of 16 bar

**operational characteristics / calculation characteristics :**

volume V (litre) : 3000  
max. working pressure PS (bar) : 16  
test pressure PT (bar) : 22,88  
min. working temp. TS (°C) : -20  
max. working temp TS (°C) : 50  
fluid : compressed air/nitrogen (fluid group 2)  
location : inside and outside building possible

**coating :**

inside : raw  
outside : primed (if customer wishes lacquered)

**manufacturing and testing**

acc. to PED 2014 / 68 / EU - AD 2000

**conformity benchmark :**

fluid group : 2  
diagram : 2  
categorie : IV  
module : H1

scale :	1:17.5
our no. :	-
order no. :	-
used for :	M+B Standardvessel
weight :	ca.810 kg
sheet :	1
of sheet :	1
date of plot :	01.07.2015
file :	ENG-010856

**Maschinen- und Behälterbau GmbH**

date	name
compl. 01.07.2015	CW
appr. 01.07.2015	Nota 2

follow protection mark acc. to DIN 34

Betzdorfer Str. 170  
57567 Daaden  
Tel. 02743/9330-12  
Fax 02743/3685  
Internet: www.mabe.de  
E-Mail: cad@mabe.de

description :

pressure vessel horizontal  
3000 l 16 bar

drawing no. :  
MB 020102-2.3000G/M/E

revision :  
A

drawing no. of design inspection :

MB 020102-2

date of revision :  
01.07.2015

revision only  
on CAD