

**SEAMS (unless otherwise indicated on drawing):**

<b>longitudinal seam</b> 	<b>socket-/flangeweldings</b> 	<b>circumferential seams</b> beadseams only up to 8mm wall thickness of bottoms cyl. brim > 3,5 x wall thickness of bottoms 
------------------------------	-----------------------------------	---

**pressure variation :**  
 pressure swing 0-16 bar max. operations 1.000  
 infinite operation of pressure swing within 20% of 16 bar

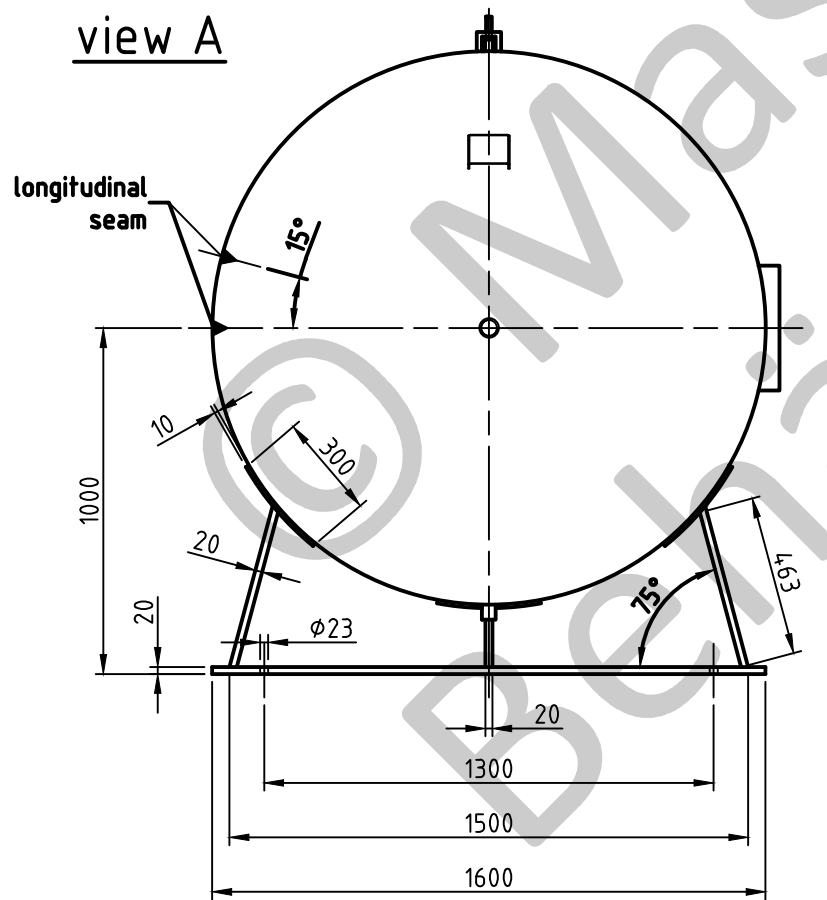
**operational characteristics / calculation characteristics :**  
 volume V (litre) : 9000  
 max. working pressure PS (bar) : 16  
 test pressure PT (bar) : 22,88  
 min. working temp. TS (°C) : -10  
 max. working temp. TS (°C) : 50  
 fluid : compressed air/nitrogen (fluid group 2)  
 location : inside and outside building possible

**coating :**  
 inside : raw  
 outside : primed (if customer wishes lacquered)

**manufacturing and testing**  
 acc. to PED 2014 / 68 / EU - AD 2000

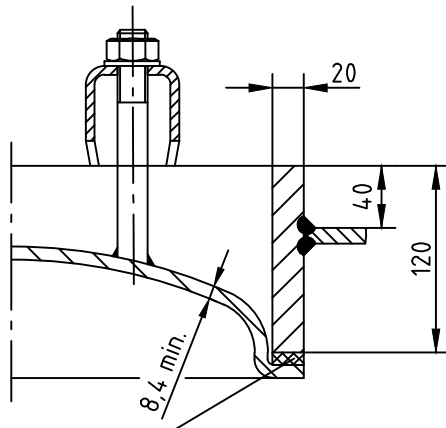
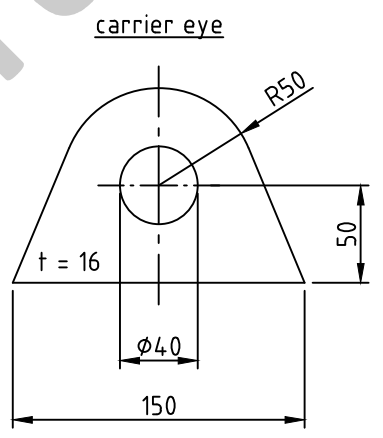
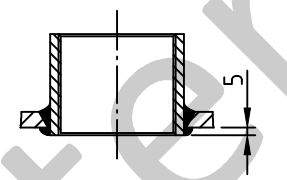
**conformity benchmark :**  
 fluid group : 2  
 diagram : 2  
 categorie : IV  
 module : H1

**view A**



socket welding  
 drain and plug socket  
 inside flush

OAB 51 - manhole lock 320/420  
 tested components



scale :	1:22.5
our no. :	-
order no. :	-
used for :	M+B Standardvessel
weight :	ca.2210 kg
sheet :	1
of sheet :	
date of plot :	07.07.2015
file :	ENG-010882

**Maschinen- und Behälterbau GmbH**

date	name
compl. 07.07.2015	SW
appr. 07.07.2015	Nota 2

follow protection mark acc. to DIN 34

Betzdorfer Str. 170  
 57567 Daaden  
 Tel. 02743/9330-12  
 Fax 02743/3685  
 Internet: www.mabe.de  
 E-Mail: cad@mabe.de

description :  
**pressure vessel horizontal**  
**9000 l 16 bar**

drawing no. :  
**MB 020102-2.9000G/E**

drawing no. of design inspection :  
**MB 020102-2**

revision : **A**

date of revision :  
 07.07.2015

revision only on CAD