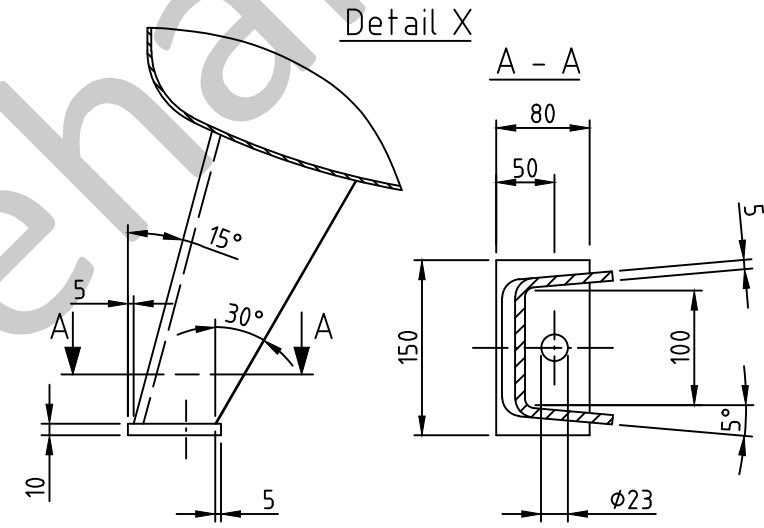
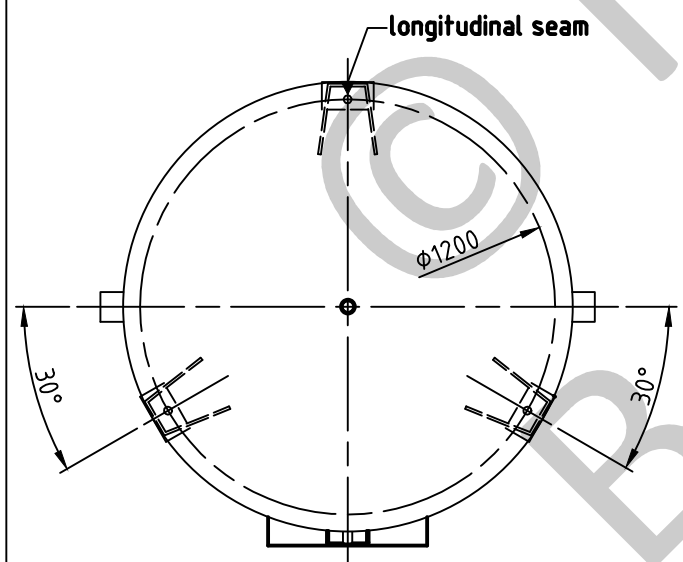
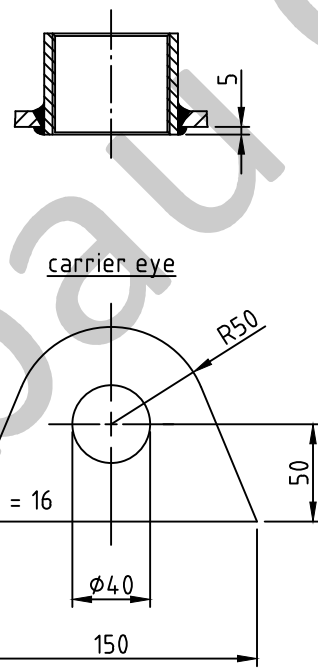
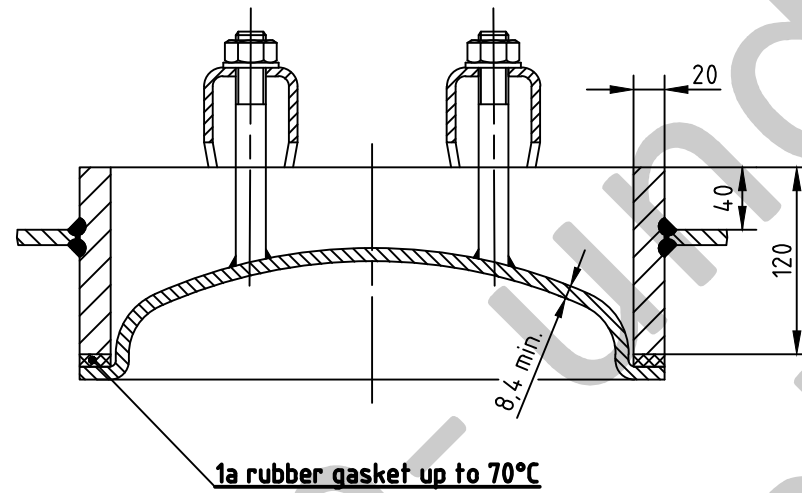


OAB 51 - manhole lock 320/420  
tested components



| SEAMS (unless otherwise indicated on drawing): |                        |  |  |
|--|------------------------|--|--|
| longitudinal seam                              | socket-/flangeweldings | circumferential seams  |  |
|  |                        | beadseams only up to 8mm wall thickness of bottoms cyl. brim > 3,5 x wall thickness of bottoms |  |
|  |                        |  |  |

|   |   |
|---|---|
| pressure variation :  |   |
| pressure swing 0-16 bar max. operations 1.000               |   |
| infinite operation of pressure swing within 20% of 16 bar   |   |
| operational characteristics / calculation characteristics : |   |
| volume V (litre)  | : 4000                                      |
| max. working pressure PS (bar)                              | : 16  |
| test pressure PT (bar)                                      | : 22,88                                     |
| min. working temp. TS (°C)                                  | : -10                                       |
| max. working temp. TS (°C)                                  | : 50  |
| fluid   | : compressed air / nitrogen (fluid group 2) |
| location  | : inside and outside building possible      |

|           |                                       |
|-----------|---------------------------------------|
| coating : |                                       |
| inside :  | raw                                   |
| outside : | primed (if customer wishes lacquered) |

|                                      |  |
|--------------------------------------|--|
| manufacturing and testing            |  |
| acc. to PED 2014 / 68 / EU - AD 2000 |  |

|                        |                |
|------------------------|----------------|
| conformity benchmark : |                |
| fluid group : 2        | categorie : IV |
| diagram : 2            | module : H1    |

|                |                    |
|----------------|--------------------|
| scale :        | 1:22.5             |
| our no. :      | -                  |
| order no. :    | -                  |
| used for :     | M+B Standardvessel |
| weight :       | ca.1185 kg         |
| sheet :        | 1                  |
| of sheet :     | 1                  |
| date of plot : | 17.06.2015         |
| file :         | ENG-010749         |

**Maschinen- und Behälterbau GmbH**

|                   |               |
|-------------------|---------------|
| date              | name          |
| compl. 17.06.2015 | CW            |
| appr. 17.06.2015  | <i>Nota 2</i> |

follow protection mark acc. to DIN 34

Betzdorfer Str. 170  
57567 Daaden  
Tel. 02743/9330-12  
Fax 02743/3685  
Internet: www.mabe.de  
E-Mail: cad@mabe.de

|  |                               |
|--|-------------------------------|
| description :                            |                               |
| pressure vessel upright<br>4000 l 16 bar |                               |
| drawing no. :                            | revision : A                  |
| MB 020103-2.4003G/E                      |                               |
| drawing no. of design inspection :       | date of revision : 17.06.2015 |
| MB 020103-2                              | revision only on CAD          |