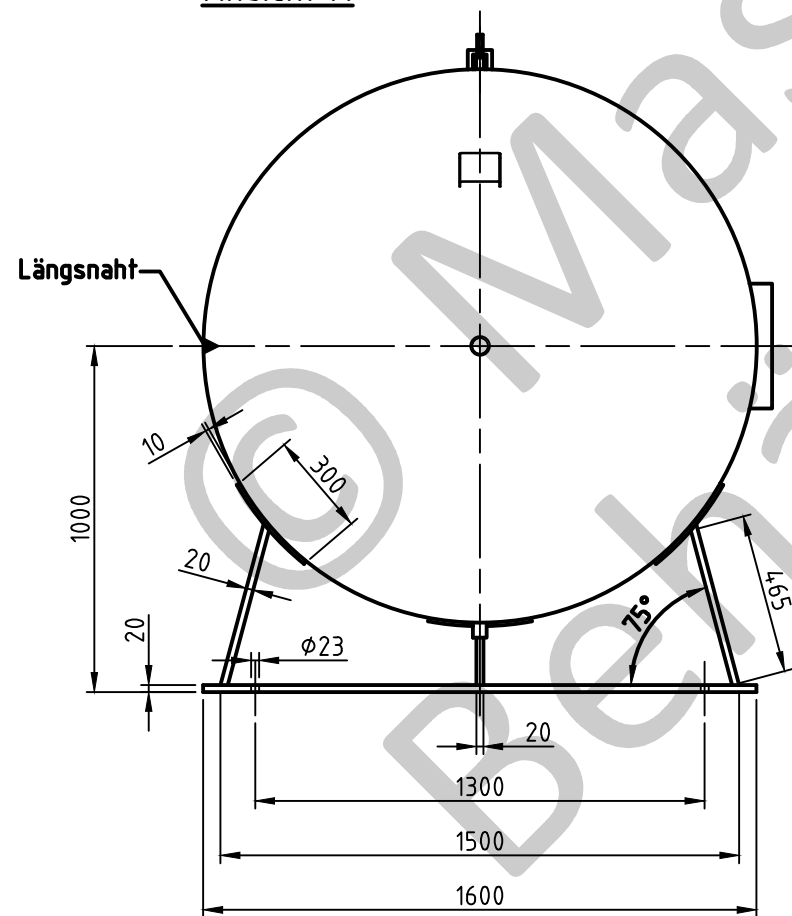
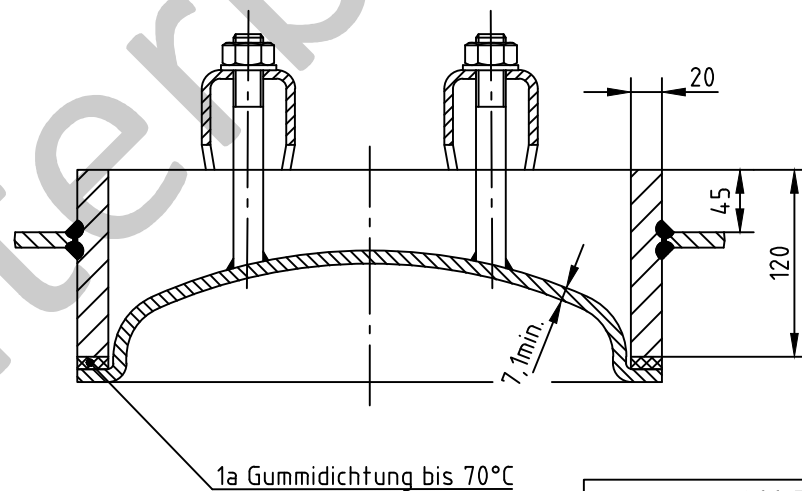


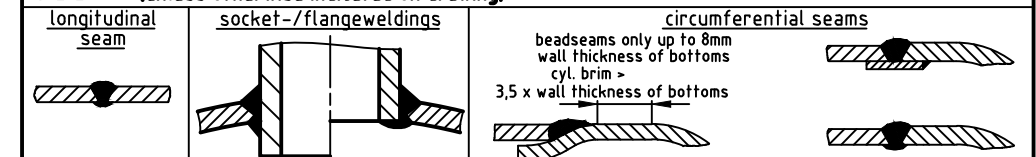
Ansicht A



OAB 51 - Mannlochverschluß 320/420
bauteilgeprüft



SEAMS (unless otherwise indicated on drawing):



pressure variation :
pressure swing 0-11 bar max. operations 1.000
infinite operation of pressure swing within 20% of 11 bar
operational characteristics / calculation characteristics :
volume V (litre) : 6000
max. working pressure PS (bar) : 11
test pressure PT (bar) : 15,73
min. working temp. TS (°C) : -10
max. working temp TS (°C) : 50
fluid : compressed air/nitrogen (fluid group 2)
location : inside and outside building possible

coating :
inside : raw
outside : primed (if customer wishes lacquered)

manufacturing and testing
acc. to PED 2014 / 68 / EU - AD 2000

conformity benchmark :	
fluid group : 2	categorie : IV
diagram : 2	module : H1

scale :	1:22.5
our no. :	-
order no. :	-
used for :	M+B Standardbehälter
weight :	ca.1180 kg
sheet :	1
of sheet :	1
date of plot :	16.03.2015
file :	ENG-010323

Maschinen- und Behälterbau GmbH

	date	name
compl.	16.03.2015	CW
appr.	16.03.2015	Nota 2

follow protection mark acc. to DIN 34

Betzdorfer Str. 170
57567 Daaden
Tel. 02743/9330-12
Fax 02743/3685
Internet: www.mabe.de
E-Mail: cad@mabe.de

description :	pressure vessel horizontal 6000 l 11 bar
drawing no. :	MB 020102-1.6000G
revision :	A
date of revision :	16.03.2015
drawing no. of design inspection :	MB 020102-1
revision only on CAD	